

CSS-A10

V1.0

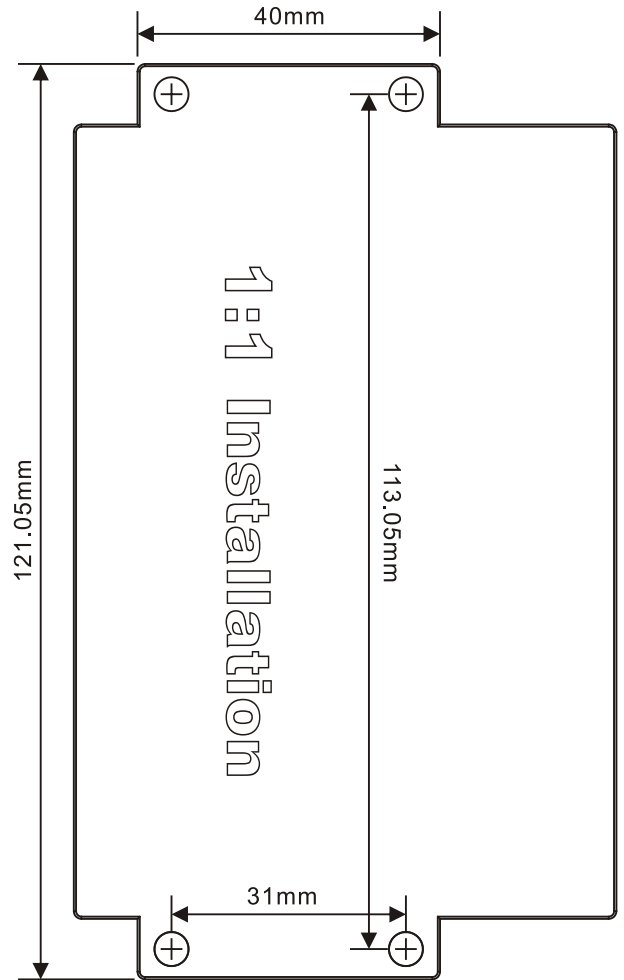
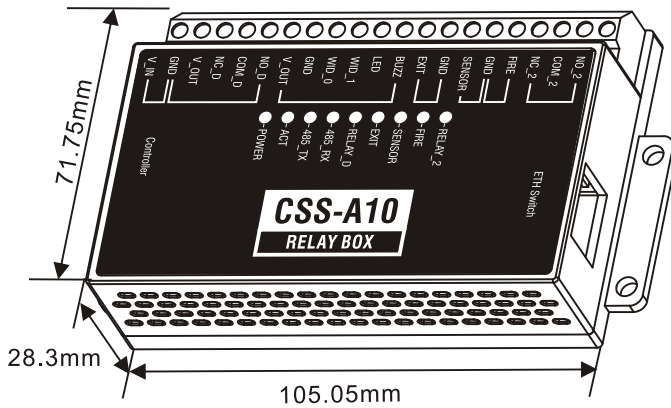
INSTALLATION HW 1.0

A. Package Content

Controller x 1, installation guide x 1, Accessory kit x 1
 Accessory kit : screw x 4, screw anchors x 4, diode (1N4004) x 1

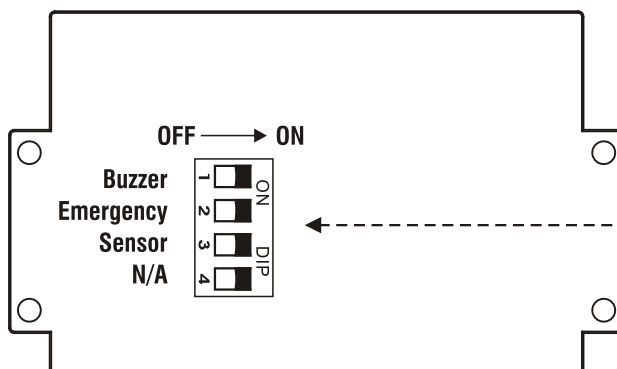
B. Specification

- Voltage input range : 9 ~ 24 VDC
- Recommend power :
 DC 12V 1A (Does not include door lock power supply)
 DC 12V 2A (Includes door lock power supply)
- Wiegand range: Max 100M
- Relay supports Max 30VDC 3A (AC POWER does not support)

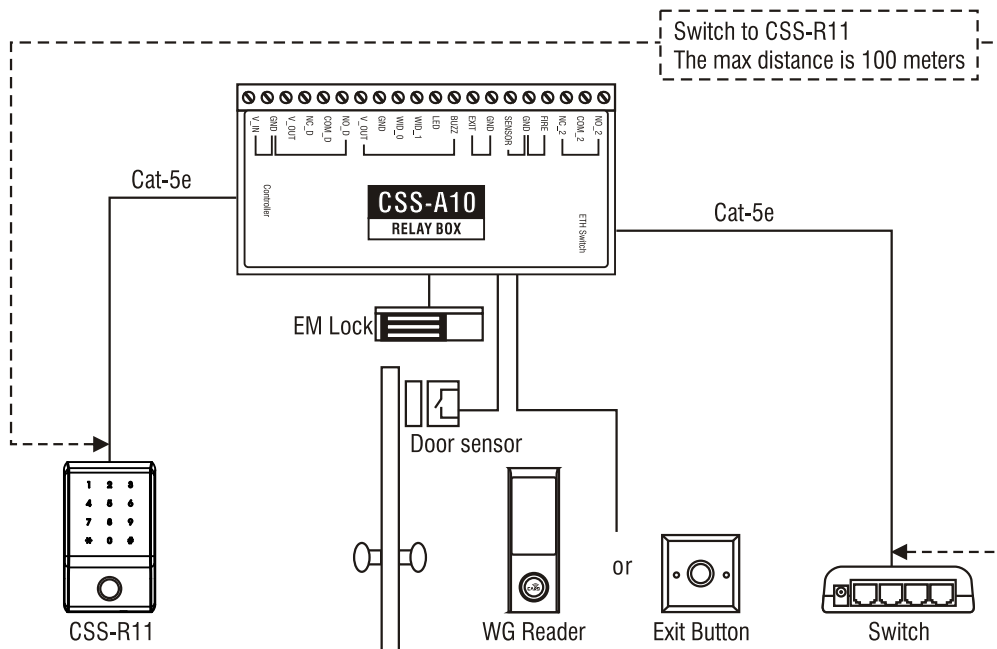


C. Description of the back side

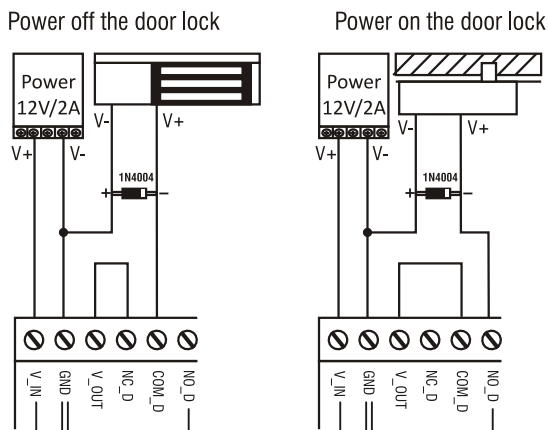
Buzzer	Buzzer switch	<input checked="" type="checkbox"/> Enable (default) <input type="checkbox"/> ON	<input type="checkbox"/> Disable <input checked="" type="checkbox"/> OFF
Emergency	Emergency Mode	When the controller is offline, exit button still function without controller	<input checked="" type="checkbox"/> Enable (default) <input type="checkbox"/> ON <input type="checkbox"/> Disable <input checked="" type="checkbox"/> OFF
Sensor	Door sensor detection switch	<input checked="" type="checkbox"/> Enable (default) <input type="checkbox"/> ON	<input type="checkbox"/> Disable <input checked="" type="checkbox"/> OFF
N/A	Reverse		



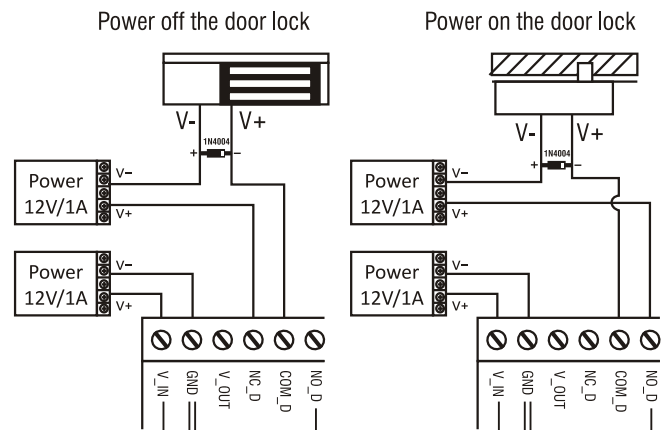
D. Structure



The door locks use a common power supply



The door locks use a separate power supply



E. Wiring Diagram

