

CSS-R16

Web based RFID & PIN Controller



Time attendance



Access control



Contactless verify



Mobile NFC/ BLE

- Log data real time PUSH
- RFID card + Password + BLE/ NFC verification
- Standalone with build in WebServer
- Simplified installation with Cat-5e cable
- Assign IP camera for capturing snapshot
- WG/ OSDP/ TCP/IP connection
- Built-in Watchdog

Specifications

GENERAL DATA

Verification Mode	Card /PIN /Card + PIN /Mobile APP
Software Application	SoMac /Browser
Proximity	EM /Mifare /Desfire /HID /BLE /NFC
Transmit Frequency	125KHz/13.56MHz/2.4GHz
Host Communication	TCP/IP(10/100M Based)/Http Web Management
Reader Communication	WG/OSDP V1/V2 reader
13.56 MHz Compatibility	ISO14443A CSN, ISO14443B CSN, ISO15693 CSN, Desfire EV1/EV2 Sector, NFC-enabled Mobile device
Card Capacity	20,000
System Log	2,688
Entry Log	45,000
Time Set /Time Zone /Group	255 /120 /255 Sets
Remote Control /Event Handle	Yes /Yes (with BF-50)
Anti Pass Back /Anti Duress	Yes /Yes

Touch Keypad	Yes
LED Indicators	1-LED with Triple Colors (R / G /B)
IP	Static IP /DHCP
Built-in Relay	1 relay (COM/NO/NC)for door lock
Buzzer	Single Tone
Capacitive Touch Keys	2 x 6

COMMUNICATION DATA

Communications	TCP/IP, Wiegand Input /RS485 /OSDP
Wiegand	1 channel
Wiegand Input	26 /34 /66 bits

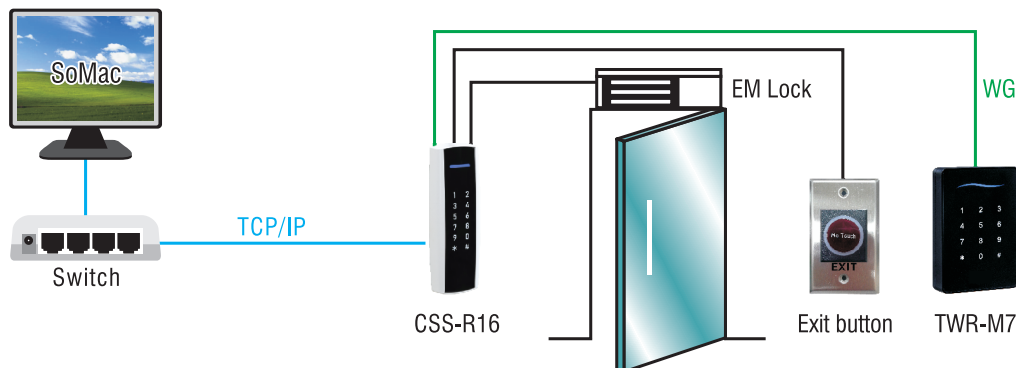
ELECTRICAL DATA & CONDITIONS

Power Requirement	9~24VDC/1A
Power Consumption	300mA ± 5%
Operation Temperature	0°C ~ 55°C
Operation Humidity	5%~80% RH
Waterproof	IP54

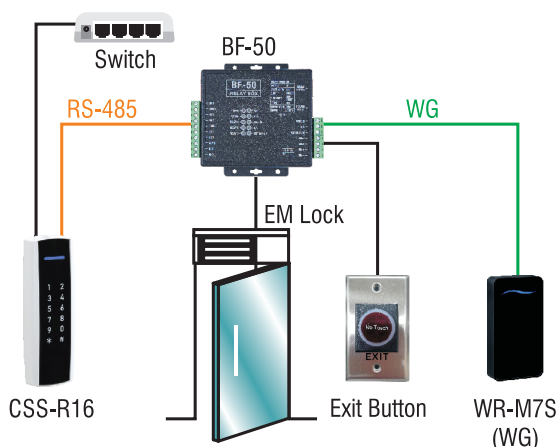
PHYSICAL DATA

Dimension	160 x 57 x 28 mm
-----------	------------------

Structure



(Security Relay box)



(OSDP server mode)



Ordering information

E: EM 125KHz M: Mifare 13.56MHz H: HID 125KHz Option: BF-50 secure I/O Box