

WR-QM

Multiple Technology Mifare Card CSN + QR Code



Mifare



Barcode



QR code

- Keyless entry, dynamic QR code via mobile App
- Expiry date, temporary access permissions
- QR Code supports RS485 (encryption security) and WG 26, 34, 66
- QR Code, Barcode, Mifare CSN multi-technology
- Visitor Management System
 - Visitor temporary by QR Code (E-mail / Hard copy)
 - Tenant access by QR Code mobile App / Mifare CSN

Specifications

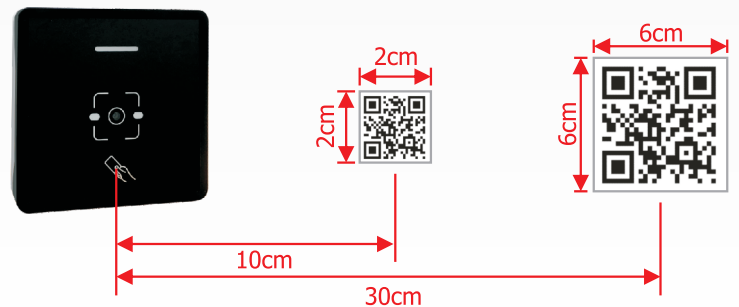
Card type	Mifare CSN
Verification time	100ms
Power consumption	150mA
Communication	RS485 or WG
Transmit distance	WG: 100M/ RS485: 1000M
ESD protection	+2.5KV
Built-in Watch Dog	Yes

Card Collision Algorithm	Yes
Mifare Card Reading distance	0 ~ 6 cm
Buzzer	Yes
LED	Red/ Blue/ Green
Power requirement	DC 9 ~ 15V (150mA)
Operation Temperature	-20°C ~ 70°C
Dimension	96 x 96 x 17.2 mm

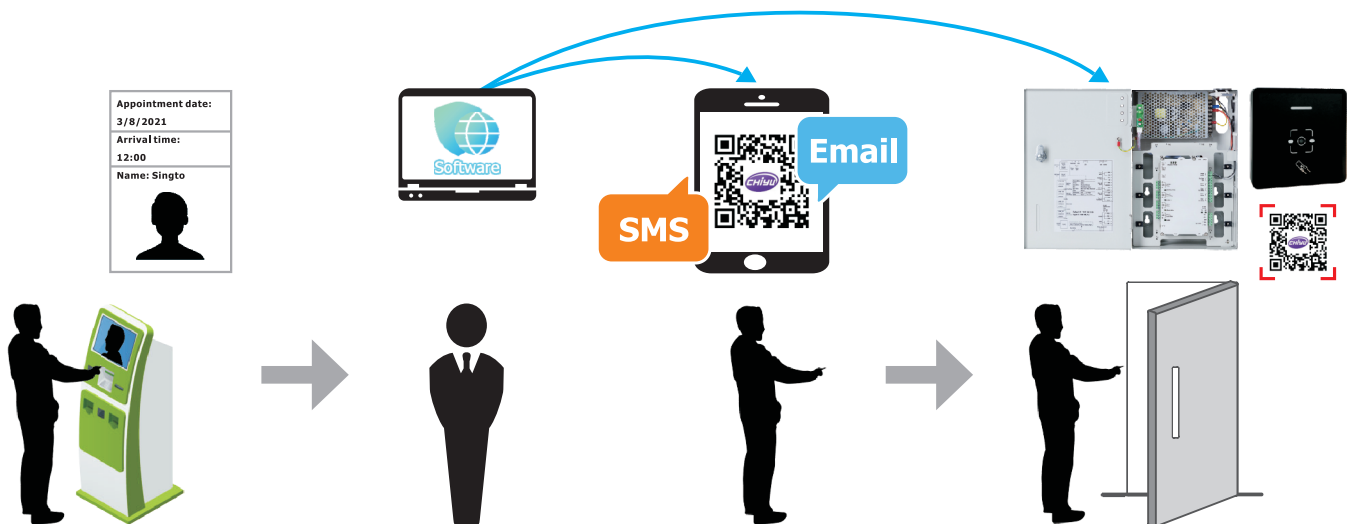
QR Code Specification

SCAN PARAMETERS	
Image Sensor	640 x 480 CMOS
Reading accuracy	5 mil
DEPTH OF FIELD (cm)	
Code 39	6 ~ 13 cm
Code 128	7 ~ 12 cm
2 x 2 cm reading range	3 ~ 10 cm
6 x 6 cm reading range	6 ~ 30 cm

Reading Range



Structure



Kiosk Booking > VMS server sends data to device > Visitor received QR code for entry

Method of obtaining QR Code



From Chiyu App



SOMAC Software Send to Email



Print from printer